

**LPMS**  
USA

Low Pressure Molding  
Solutions from Design  
to Production

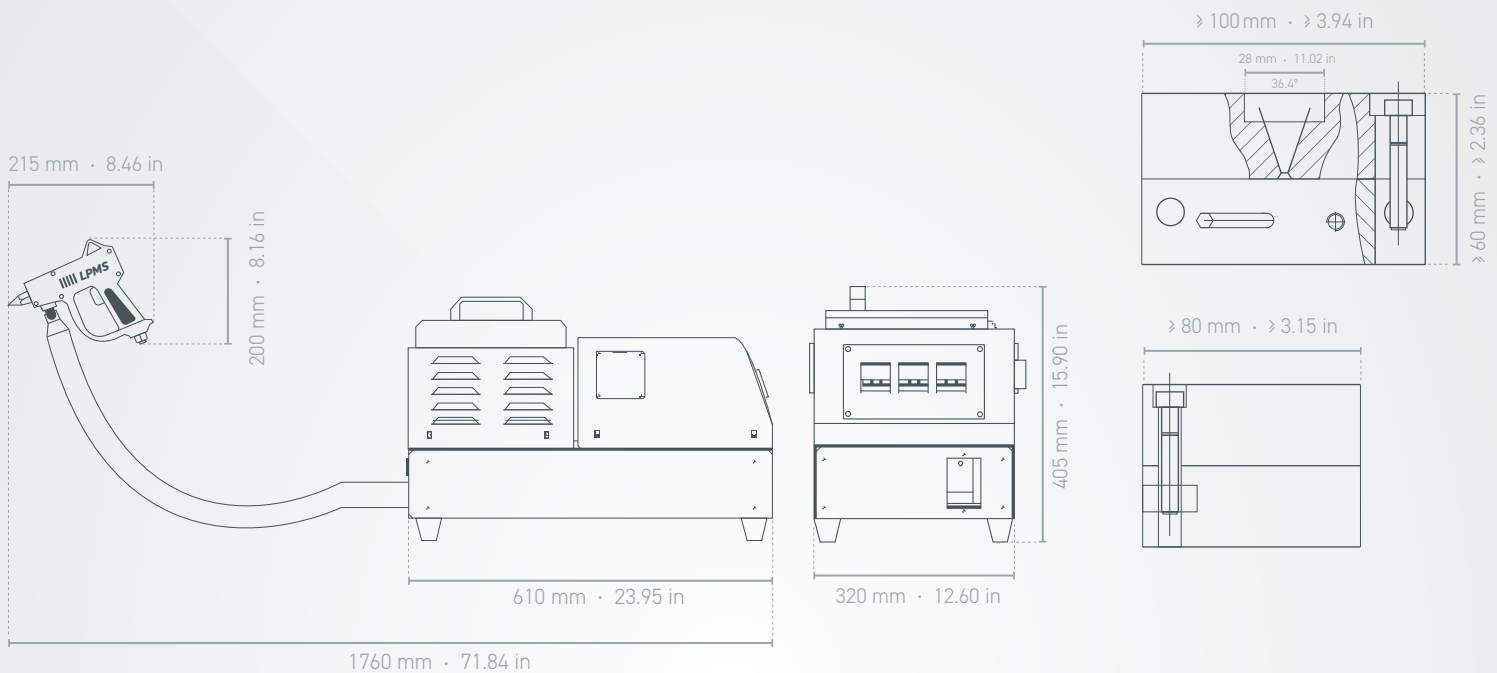


## ALPHA 120J

3 liter melting tank  
with LPMS hand-held gun

- ◆ Separate high volume melting tank
- ◆ 3 thermal control zones for precise melt control
- ◆ Gear pump dispense
- ◆ Adjustable safety valve

## Dimensions



Machine

Mold Set

## Specifications

<b>Machine Size</b>	610 × 320 × 405 mm · 23.95 × 12.60 × 15.90 in · 95 lbs
<b>Electricity</b>	200–240 VAC · 1 Phase · 50 Hz · 25 A
<b>Air Pressure</b>	30–100 psi
<b>Air Volume</b>	> 90 psi
<b>Melt Tank / Volume</b>	3L
<b>Temperature Control Zones</b>	3