

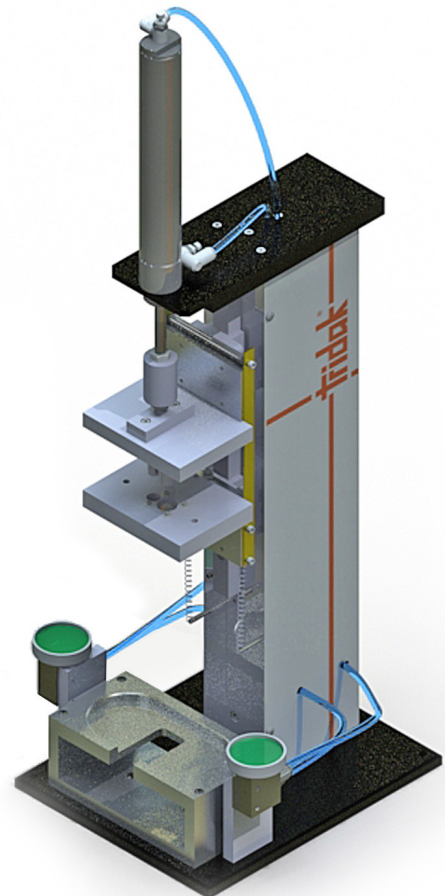
Tridak® Model 3200 Piston Inserter

The Tridak® piston inserter allows operators to insert pistons into cartridges and syringe barrels accurately and quickly. This system is a great alternative to manual piston insertion, which can require excessive force and often allows for air to be trapped under the pistons. Manually inserting pistons also leads to inconsistent piston insertion depth and alignment, which is not only unpleasant from a cosmetic standpoint, but also leads to inexact ratios when the product is dispensed. Tridak's piston-inserting machine eliminates the downfalls experienced with manual insertion. With an automatic air-bleed system to eliminate trapped air, and the ability to adjust the insertion depth of the pistons, these machines can be used to seal most syringes and cartridges.

Operation of the piston inserter is simple and easy to learn and there is very little maintenance required on the unit. The Model 3200 is universally sized for compatibility with cartridges and syringe barrels up to 500 mL. Total cycle time is typically 1-3 seconds.

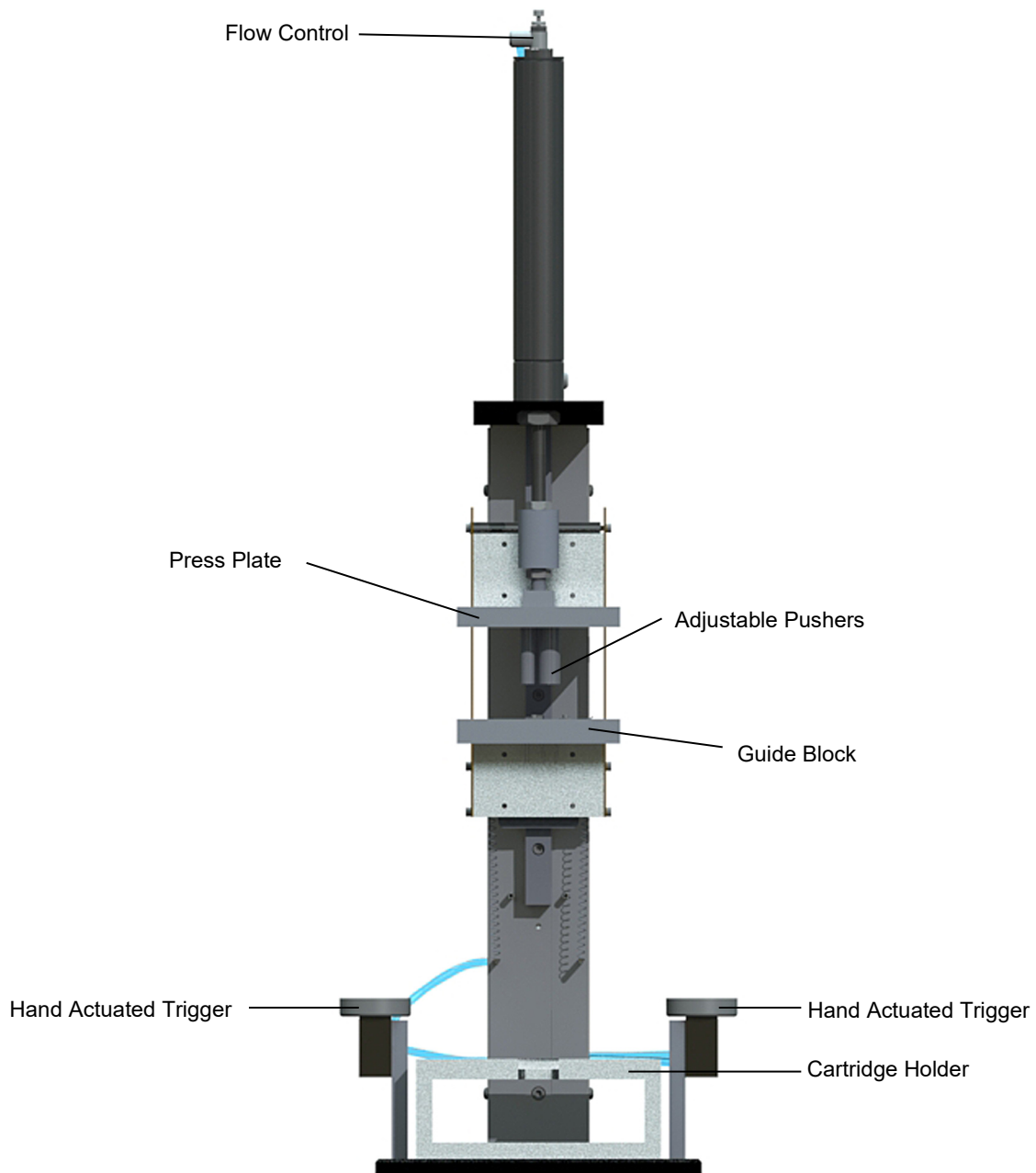
Features & Benefits:

- Pneumatic operation
- Typical cycle time of 1-3 seconds
- Available for both single and dual cartridges and syringes
- Automatic air-bleed system eliminates trapped air
- Adjustable insertion depth
- Easy to use with minimal maintenance
- Automatic guidance and holding system accurately aligns the cartridge and pistons
- Features a dual-hand actuation trigger for operator safety



SPECIFICATIONS

Part Number	T10105 Piston Inserting System
Typical Cycle Time	1-3 Seconds
Compatible Sizes	Cartridges and syringe barrels up to 500 mL Maximum cartridge height: 7 in (18 cm) Maximum cartridge/piston diameter: 2.5 in (6.5 cm)
Dimensions (L x W x H)	10" x 12" x 36" (25.4 cm x 30.48 cm x 91.44 cm)



© 2015 Tridak LLC. All rights reserved. All trademarks in this guide, except where noted, are the property of, or used under license by Tridak LLC. Delrin is a registered trademark of DuPont.

Please note that most filling system applications are unique. Tridak does not warrant the fitness of the product for the intended application. Any warranty applicable to the product, its application and use is strictly limited to that contained in Tridak's standard Conditions of Sale published on our website. Tridak recommends that any intended application be evaluated and tested by the user to ensure that desired performance criteria are satisfied. Tridak is willing to assist users in their performance testing and evaluation. Data sheets are available for pressure pots upon request.

PB040

04/01/2021

Tridak LLC

860-626-6700 | info@tridak.com | www.tridak.com