

LPMS
USA

Low Pressure Molding
Solutions from Design
to Production

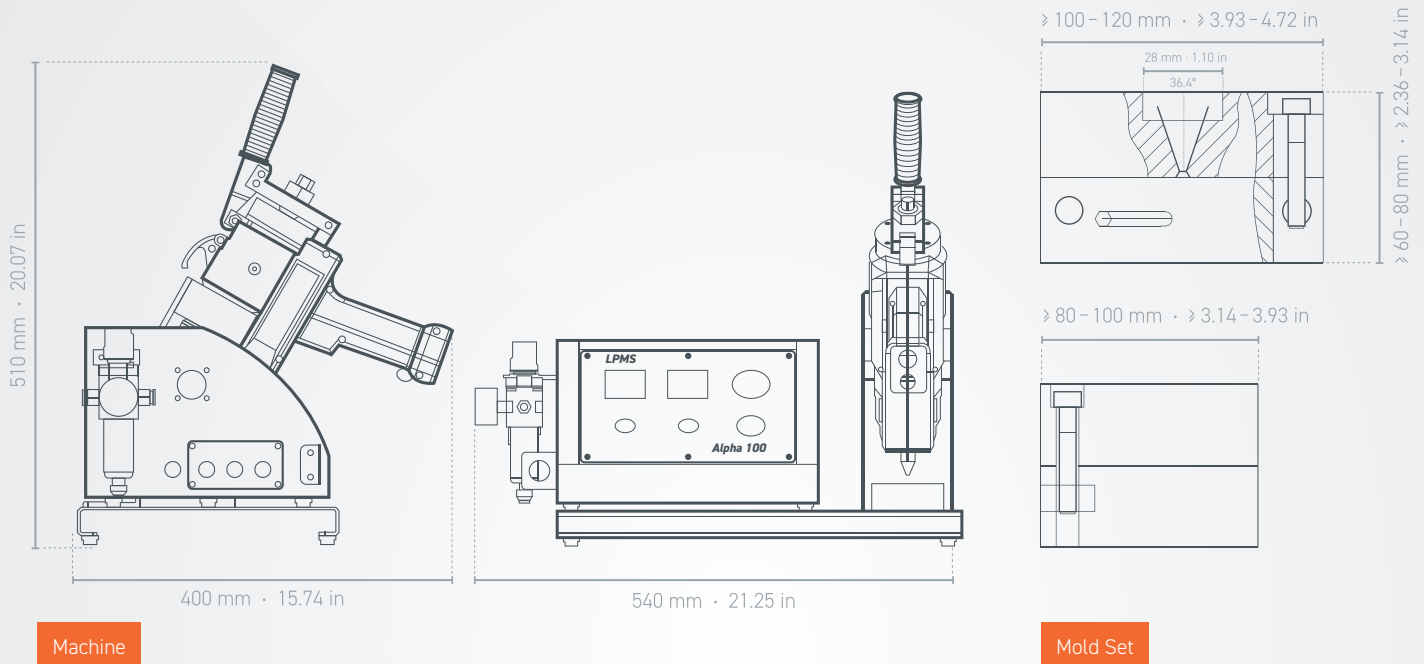


ALPHA 100

Portable hotmelt-dispensing unit

- ◆ Portable/rugged design
- ◆ Precise temperature, injection pressure and timing controls
- ◆ Pneumatic gun dispense
- ◆ Designed specifically for hotmelt adhesives
- ◆ Optional stand
- ◆ Easy to load with holt melt adhesive

Dimensions



Specifications

Machine Size	540 × 400 × 510 mm · 21.25 × 15.74 × 20.07 in · 35.0 lbs
Electricity	110-120 VAC · 1 Phase · 50 or 60 Hz
Air Pressure	30-100 psi
Air Volume	> 90 psi
Clamping Method	Manual
Melt Tank Quantity / Volume	One integrated · 0.3L
Temperature Control Zones	1