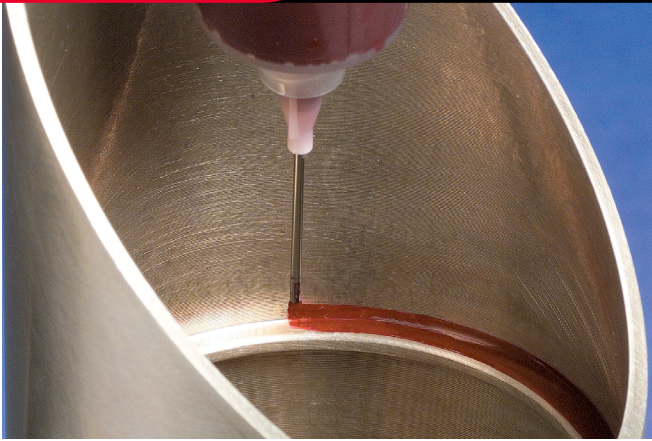




INNOVATION. PRECISION. EXCELLENCE.



System Specifications

Power

110 - 220 VAC, 50 - 60 Hz

Air Supply

80psi dry, unlubricated air at < 10 CFM

Footprint

362 mm x 286 mm (14.25 in x 11.25 in)

Maximum Part Diameter

165 mm (6.5 in)

Maximum Bead Diameter

165 mm (6.5 in)

Maximum Part Height

127 mm (5 in)

Payload Capacity

2.28 kg (5 lbs)

Repeatability

0.04 mm (0.0016 in)

Resolution

0.02mm (0.0008 in)

Motor

Stepper motor drive

Maximum Revolution Speed

60 RPM

Degree of Revolution

Programmable 1° - 1080°

RD100

Benchtop Rotary Dispensing System

The RD100 is a programmable rotary table that is ideal for dispensing circular or angled patterns. This simple dispense system uses a single stepper motor on the base to rotate a part as the dispense head above accurately applies a bead of fluid. Flexibility and adjustment of the dispense head, rotation angle, and programmable control interface allow this simple dispense system to apply seamless beads of adhesives and sealants.

The RD100 has many integrated features including:

- Lightweight tabletop design that favors portability
- Front panel LCD controller with function keys
- Fully programmable revolution speed and degree of revolution
- Integrated controls to operate syringes, cartridges, or valves
- Ability to mount syringes or any other valve
- Dispense valves can be fed from any reservoirs
- Adjustable z-axis with tilt
- Pneumatic z-slide travel of 50 mm (2 in)
- Push button or foot pedal activation
- Single and dual rotary tables available

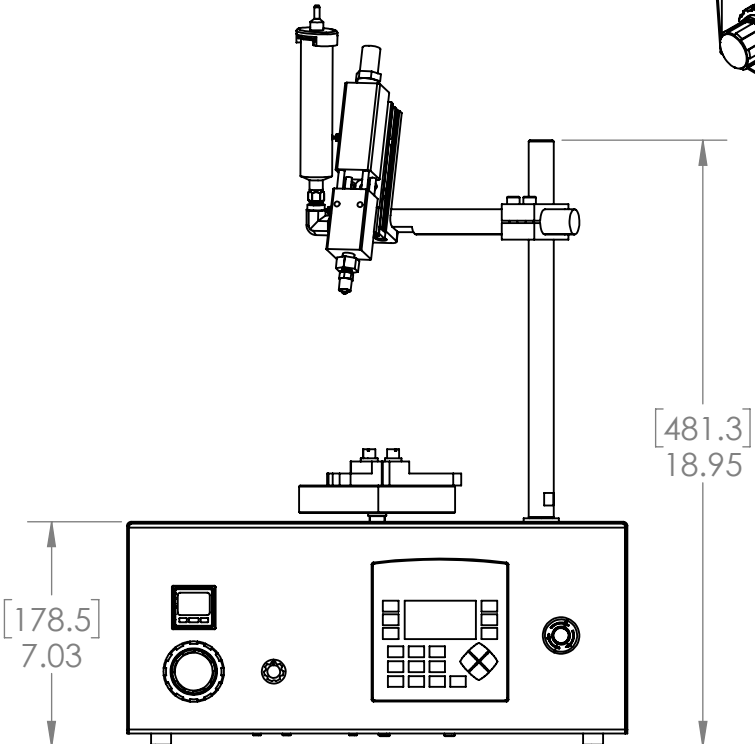
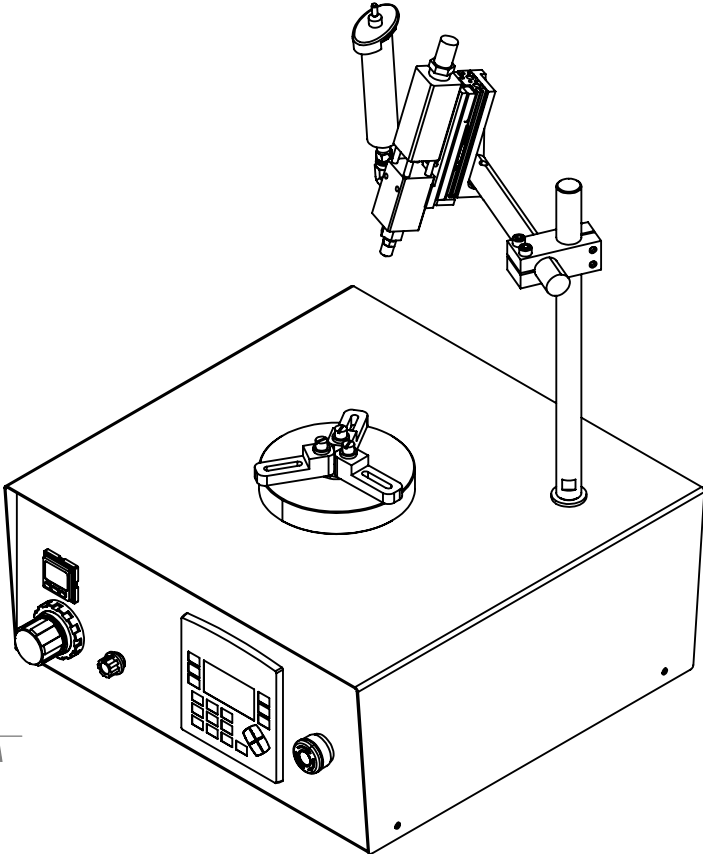
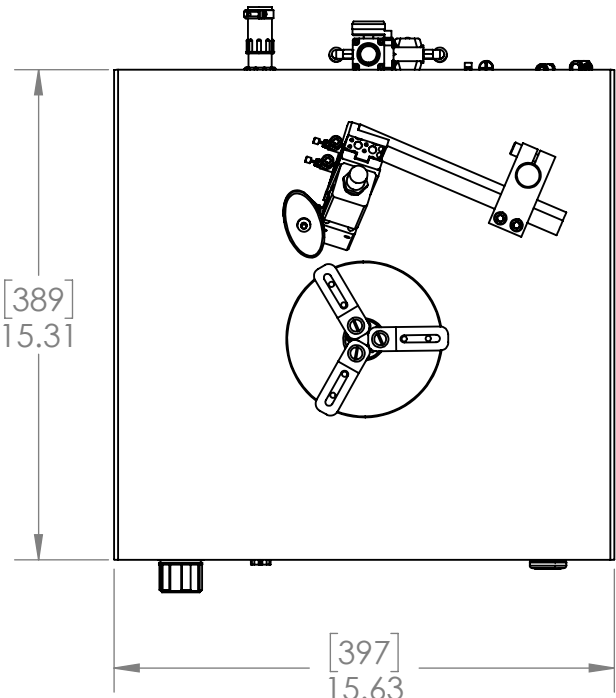
For more information, please contact PVA at info@pva.net or contact your local representative.



Headquarters

6 Corporate Drive | Halfmoon, NY 12065
tel +1 518 371 2684 | fx +1 518 371 2688
www.pva.net | info@pva.net

RD100 Dimensions



All dimensions provided in inches